

i was getting bored by the time I was introduced to the whole 'CDC' proposition.

i'm certainly no expert, and these guys clearly have a decent understanding of their subject, but i'm convinced that the whole thing amounts to a childish attempt to establish a geeky gang of hilariously earnest cyber-heroes.

I would find it very difficult to believe that the top dogs in the network security industries haven't spent a lot more time and money contemplating future exploits (obviously with the somewhat more realistic goal of stiffing businesses for as much money as they can) than this bunch.

I just can't get away from the image of a drooling, pizza-faced ghoul with a cultivated disdain for anyone who can't build a linux kernel, managing to whine nasally over IRC about how no-one really understands how incredibly inevitable a full-scale internet MELT-DOWN is, considering that he's the only man on the planet to have considered the possibility that a Worm could be programmable... uh-huh.

Nothing in the article has any real substance - the 'mathematical models' seem smugly self-serving, the anticipated propagation of a 'Wharhol Worm' being the most indulgent. Who came up with THAT one? It's all approximated, estimated and assumed.

[....]

In a word: unimpressed.



"viewtopic.php"

Search

[Advanced Search](#)

Web [+ Show options...](#)

Results 1 - 10 of about 153,000,000 for "viewtopic.php". (0.23 seconds)

[Step-By-Step Guide: Embedded Windows Media in Firefox ...](#)

Jan 26, 2005 ... For pre-1.0 versions of Firefox (also under Windows), see this earlier version of this guide: <http://forums.mozillazine.org/viewtopic.php?t=140828>. ...

forums.mozillazine.org/viewtopic.php?t=206213 - [Cached](#) - [Similar](#)

[\[Ext\] Fission 0.8.9 \[Sep 25\] • mozillaZine Forums](#) - 15 posts - Jan 19, 2006

[\[Ext\] Console² 0.1 to 0.3.6.2 • mozillaZine Forums](#) - 15 posts - Sep 17, 2005

[Quicktime/Real/Windows Media Player Issues ...](#) - 3 posts - Jan 25, 2005

[keyconfig 20080929 • mozillaZine Forums](#) - 15 posts - Jul 29, 2004

[More results from forums.mozillazine.org »](#)

[phpBB • View topic - howdark.com exploits - follow up](#)

1 post - 1 author - Last post: Nov 18, 2004

In the mean time we strongly, and I mean strongly! urge all our users to make the following change to **viewtopic.php** as a matter of urgency. ...

www.phpbb.com/community/viewtopic.php?t=240513 - [Cached](#) - [Similar](#)

[phpbb • View topic - \[2.0.19\] Youtube Video bbcode](#) - Apr 29, 2007

[phpbb • View topic - Preventing SPAM - Bots ...](#) - Mar 19, 2007

[phpBB • View topic - phpBB 2.0.16 released](#) - Jun 26, 2005

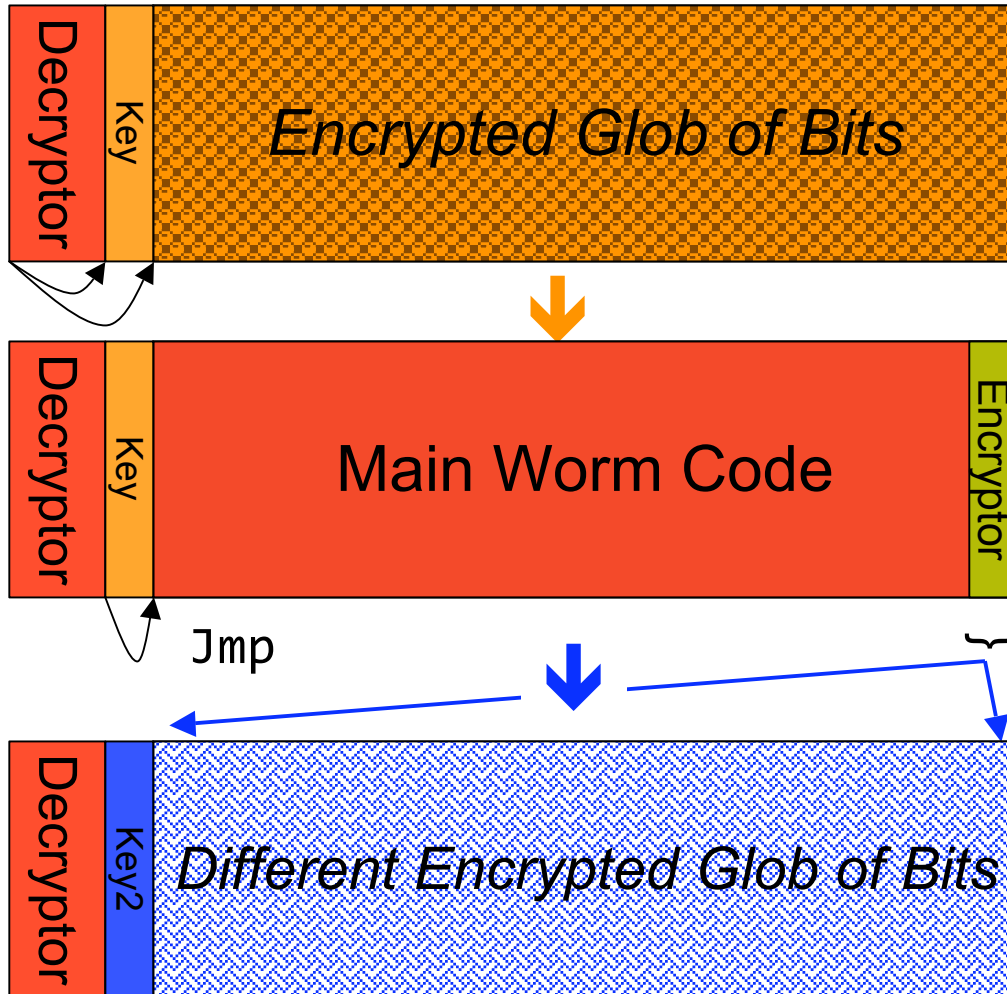
[More results from phpbb.com »](#)

[GREYSCALE & COLOUR CALIBRATION FOR DUMMIES](#)

Written by Kal, Editor/Webmaster www.CurtPalme.com Home Theater Last updated on June 6, 2009 (fixed some minor typo's) ...

www.curtpalme.com/forum/viewtopic.php?t=10457 - [Cached](#) - [Similar](#)

Polymorphic Propagation



Once running, worm uses an *encryptor* with a **new key** to propagate

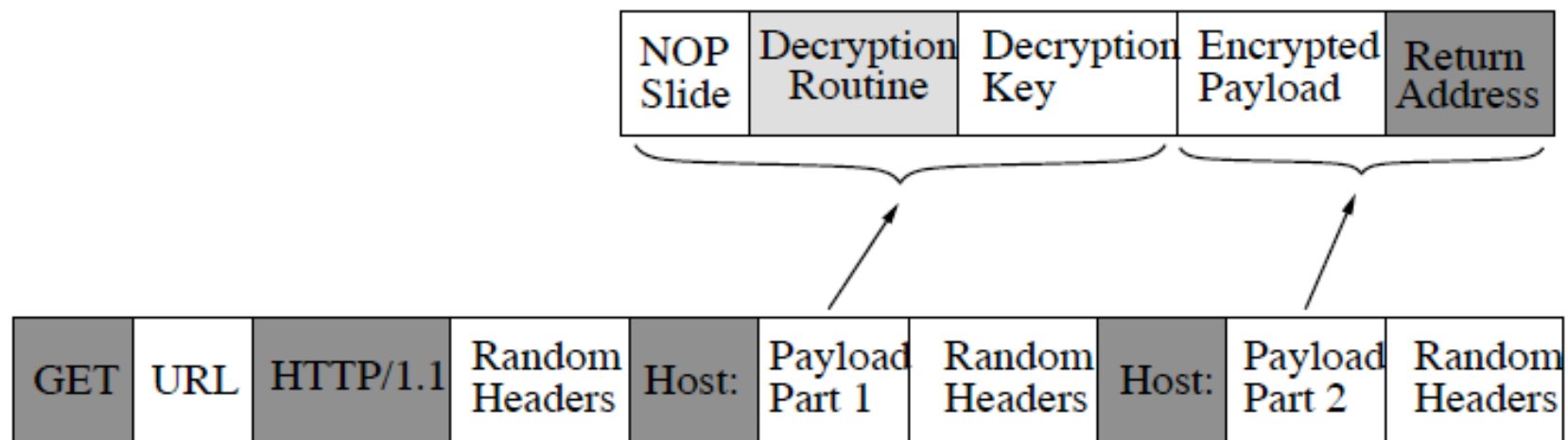
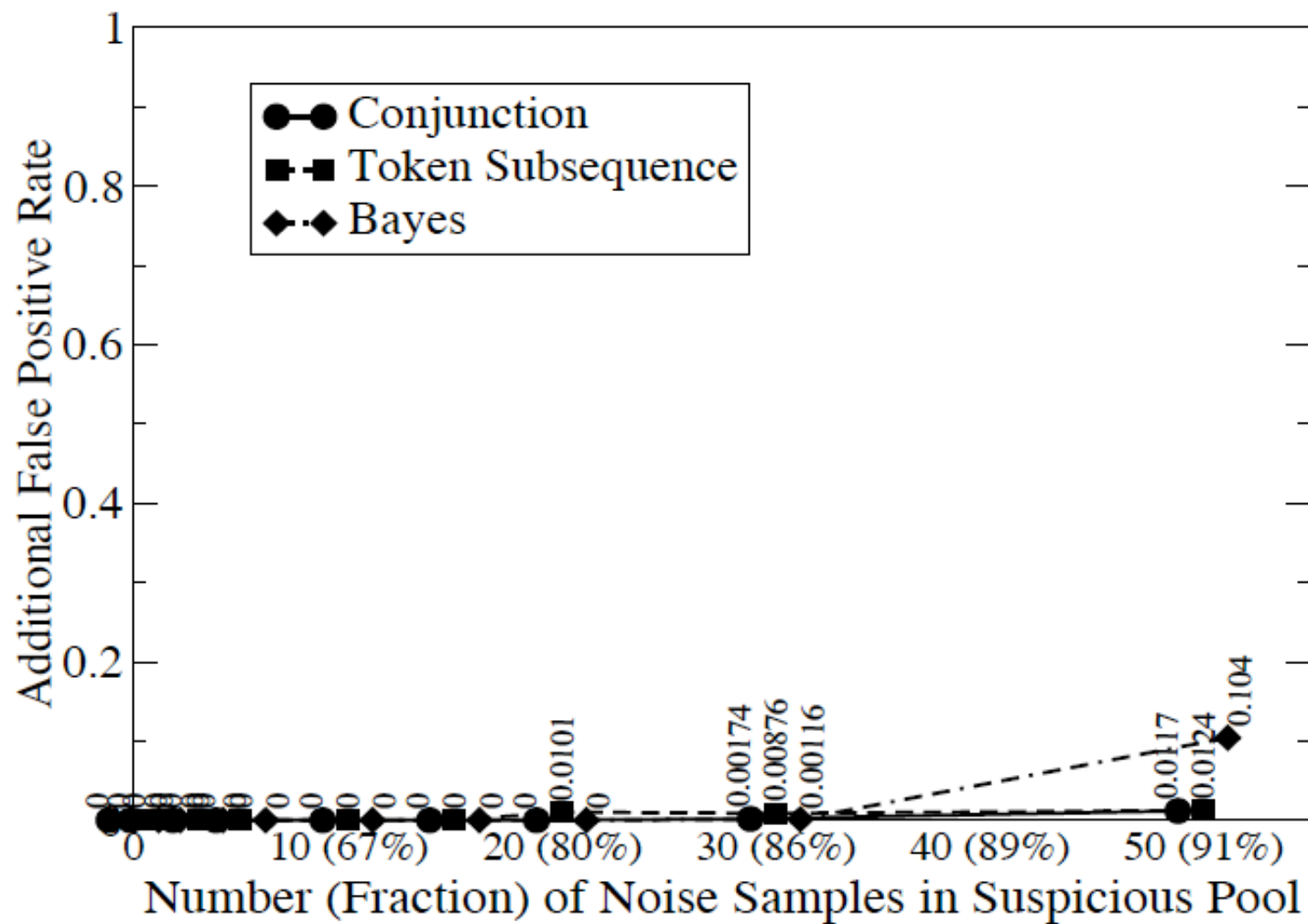


Figure 1. Polymorphed Apache-Knacker exploit. Unshaded content represents wildcard bytes; lightly shaded content represents code bytes; heavily shaded content represents invariant bytes.



(a) Apache-Knacker exploit